

Range
—
AMELIA



The mark of
responsible forestry



PRICELIST

OVH-HINNASTO (SIS. ALV. 24%) – EURO

FINLAND

01.06.2023



Range

—
AMELIA

AMELIA is named after the first female pilot to cross the Atlantic. The design of the legs memes a soft but strong power posture. A newborn classic, that shows the proud traditions in Danish design.

Designed by

—
Cecilie Kamp



This range include

—
Dining tables
Coffee tables

Features



Design elements

Choose between different designs on plates and edgeprofiles.



Sustainable choice

This product is produced with Certified wood FSC® 100%.



Wood colours

Choose between more than 10+ different wood colours.



Custommade

In addition to our many standard sizes we can accommodate special requests.

Social media

—
Follow and share with us on Instagram.

 @kristensenfurniture | #kristensenfurniture

Pricelist- and imagebank

—
On our Collection-site you as a retailer always have access to the latest pricelists and hundreds of high resolution images and videos
- Free to use in your marketing!

If you do not have a password yet, please contact the Kristensen sales office in Denmark.

LINK:

<https://collection.kristensen.com/>

PRICELIST

Round table (undivided)



These tables are not made in sizes smaller than Ø120 cm, or larger than Ø160 cm.

| Round dining table w/undivided plate (H: 74 cm, plate thickness 3 cm) | | | | |
|---|------------|--------------|--------------|--|
| Description | Item no. | Price (EUR) | | |
| | | Ash | Oak | |
| Ø160 Undivided plate | F-AM3H-160 | 2.860 | 3.578 | |
| Ø150 Undivided plate | F-AM3H-150 | 2.693 | 3.365 | |
| Ø140 Undivided plate | F-AM3H-140 | 2.543 | 3.180 | |
| Ø130 Undivided plate | F-AM3H-130 | 2.435 | 3.045 | |
| Ø120 Undivided plate | F-AM3H-120 | 2.308 | 2.885 | |



Edge profile 1
Harlekin (angled)



Edge profile 2
Arched



Edge profile 3
Pisa (rounded)



Edge profile 4
Straight

PRICELIST

Round table (extendable)

The extension system is hidden when not in use.



These tables are not made in sizes smaller than Ø120 cm, or larger than Ø160 cm.

| Round dining table w/divided plate (H: 74 cm, plate thickness 3 cm) | | | | |
|---|------------|--------------|--------------|--|
| Description | Item no. | Price (EUR) | | |
| | | Ash | Oak | |
| Ø160 prep. for 4 leaves* | F-AM3M-160 | 3.220 | 4.025 | |
| Ø150 prep. for 4 leaves* | F-AM3M-150 | 3.050 | 3.813 | |
| Ø140 prep. for 4 leaves* | F-AM3M-140 | 2.903 | 3.628 | |
| Ø130 prep. for 4 leaves* | F-AM3M-130 | 2.795 | 3.493 | |
| Ø120 prep. for 4 leaves* | F-AM3M-120 | 2.668 | 3.333 | |

* Comes with 2 support legs

| Leaves - For tables with divided plate (Solid wood, plate thickness 3 cm) | | | | |
|---|------------|-------------|------------|--|
| Description | Item no. | Price (EUR) | | |
| | | Ash | Oak | |
| Leaf 50x160 cm | F-AMT3-160 | 479 | 599 | |
| Leaf 50x150 cm | F-AMT3-150 | 459 | 574 | |
| Leaf 50x140 cm | F-AMT3-140 | 440 | 549 | |
| Leaf 50x130 cm | F-AMT3-130 | 415 | 519 | |
| Leaf 50x120 cm | F-AMT3-120 | 383 | 478 | |



Edge profile 1
Harlekin (angled)



Edge profile 2
Arched



Edge profile 3
Pisa (rounded)



Edge profile 4
Straight

PRICELIST

Table with R5 rounded corners & brass details

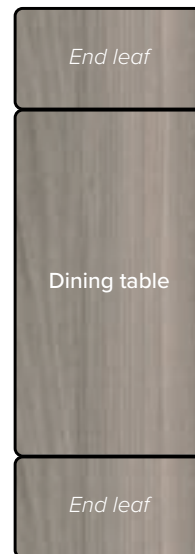


Table with edgeprofile 3 - Pisa Rounded & brass details.



WITH brass details.

| Dining table w/R5 rounded corners (3 cm thickness) w/brass details | | | | |
|--|---------------|--------------|--------------|--------------|
| Description | Measures (cm) | Item no. | Price (EUR) | |
| | | | Ash | Oak |
| Dining table with rounded corners*. | 280x100 H74 | F-AM3XM-2810 | 2.949 | 3.686 |
| | 260x100 H74 | F-AM3XM-2610 | 2.564 | 3.206 |
| | 240x100 H74 | F-AM3XM-2410 | 2.344 | 2.929 |
| | 220x100 H74 | F-AM3XM-2210 | 2.209 | 2.761 |
| *Except from when edge profile R. | 200x100 H74 | F-AM3XM-2010 | 2.085 | 2.606 |
| | 180x90 H74 | F-AM3XM-1809 | 1.767 | 2.209 |



| Leaf for dining table (3 cm thickness) | | | | |
|--|---------------|---------------|-------------|------------|
| Description | Measures (cm) | Item no. | Price (EUR) | |
| | | | Ash | Oak |
| End leaf 3 cm | 50x100 | F-AM3E-50x100 | 383 | 478 |
| | 50x90 | F-AM3E-50x90 | 344 | 430 |



Edge profile 1

Harlekin angled edge profile and rounded corners.



Edge profile 2

Arched edge profile and rounded corners.



Edge profile 3

Pisa rounded edge profile and rounded corners.



Edge profile 4

Straight edge profile and rounded corners.



Edge profile R

Natural curved edge along the 2 long sides of the table

***This is without rounded corners!**

PRICELIST

Table with R5 rounded corners (without brass details)



Table with edgeprofile 3 - Pisa Rounded.



WITHOUT brass details.

| Dining table w/R5 rounded corners (3 cm thickness) | | | | |
|--|---------------|-------------|--------------|--------------|
| Description | Measures (cm) | Item no. | Price (EUR) | |
| | | | Ash | Oak |
| Dining table with rounded corners*. *Except from when edge profile R. | 280x100 H74 | F-AM3X-2810 | 2.949 | 3.686 |
| | 260x100 H74 | F-AM3X-2610 | 2.564 | 3.206 |
| | 240x100 H74 | F-AM3X-2410 | 2.344 | 2.929 |
| | 220x100 H74 | F-AM3X-2210 | 2.209 | 2.761 |
| | 200x100 H74 | F-AM3X-2010 | 2.085 | 2.606 |
| | 180x90 H74 | F-AM3X-1809 | 1.767 | 2.209 |



| Leaf for dining table (3 cm thickness) | | | | |
|--|---------------|---------------|-------------|------------|
| Description | Measures (cm) | Item no. | Price (EUR) | |
| | | | Ash | Oak |
| End leaf 3 cm | 50x100 | F-AM3E-50x100 | 383 | 478 |
| | 50x90 | F-AM3E-50x90 | 344 | 430 |



Edge profile 1

Harlekin angled edge profile and rounded corners.



Edge profile 2

Arched edge profile and rounded corners.



Edge profile 3

Pisa rounded edge profile and rounded corners.



Edge profile 4

Straight edge profile and rounded corners.



Edge profile R

Natural curved edge along the 2 long sides of the table

***This is without rounded corners!**

PRICELIST

Coffee Table with R5 rounded corners & brass detail



Coffee table with edgeprofile 3 - Pisa Rounded & brass detail.

| Coffee table w/R5 rounded corners* (3 cm thickness) | | | | |
|---|---------------|-----------------|--------------|--------------|
| Description | Measures (cm) | Item no. | Price (EUR) | |
| | | | Ash | Oak |
| Coffee table with brass details | 140x80 H52 | F-AMC3XM-140852 | 1.250 | 1.562 |
| | 130x70 H52 | F-AMC3XM-130752 | 1.042 | 1.300 |
| Coffee table with <u>no</u> brass details | 140x80 H52 | F-AMC3X-140852 | 1.190 | 1.487 |
| | 130x70 H52 | F-AMC3X-130752 | 992 | 1.239 |

*Except from when edge profile R.



Edge profile 1

Harlekin angled edge profile and rounded corners.



Edge profile 2

Arched edge profile and rounded corners.



Edge profile 3

Pisa rounded edge profile and rounded corners.



Edge profile 4

Straight edge profile and rounded corners.



Edge profile R

Natural curved edge along the 2 long sides of the table

***This is without rounded corners!**



Images for guiding purpose only!
The wood structure and colour will vary from ash and oak.

We therefore recommend using the wood samples/exhibition furniture to get a more accurate impression.

WOOD COLOURS



ASH C3 / OAK C3
Lacquered

We treated this wood with lacque.

C3 are only made for products without patination.



ASH C4 / OAK C4
Natural oiled

We treated this wood with our 'Natural oil'.



ASH C6 / OAK C6
White oiled

We treated this wood with our 'White oil'.



ASH C8 / OAK C8
Soaped

We treated this wood with soap.



ASH C11 / OAK C11
Dark grey oiled

We treated this wood with our 'Black oil'.



ASH C12 / OAK C12
Antique brown oiled

We treated this wood with our 'Antique brown oil'.



ASH C13 / OAK C13
Light grey oiled

We treated this wood with our 'Light grey oil'.



ASH C14 / OAK C14
Black stained & oiled

We treated this wood with black stain, and treated it with a wax oil.

C14 is for legs and storage furniture only!



ASH C15 / OAK C15
Mocca brown oiled

We treated this wood with our 'Mocca brown oil'.



ASH C16
Warm white oiled

We treated this wood with our 'Warm white oil'.

C16 is only for ash



ASH C20 / OAK C20
Grey brown oiled

We treated this wood with our 'Grey brown oil'.



ASH C44 / OAK C44
Black matt lacquered

We treated this wood with black stain, and treated it with matt lacque.

C44 is only for plates and can only be made for products without patination.



For more information about maintenance, please visit our website:
WWW.KRISTENSEN.COM



We also offers our own repairoils for our products
- contact us if you need a pricelist.

WOOD FINISH



UP

Without patination

The wood is planned and sanded to achieve a smooth surface.

With few and smaller knots.

Storage furniture can only be made with this finish!



SC

Soft Cracks

Naturally occurring cracks are made more visible which gives a rustic look with cracks in the surface.

May contain more and larger knots.

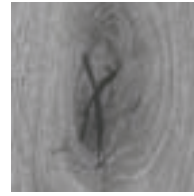


RL

Raw Look

We brush off the layer of softer wood which gives a look of wood that has been roughened by natural wear.

May contain more and larger knots.



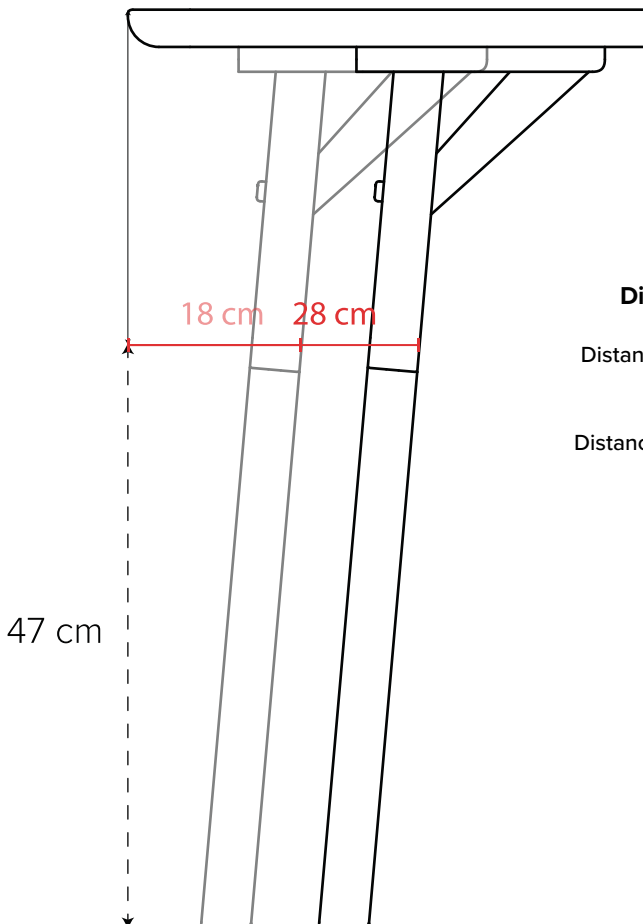
FK

Filled Knots

The knots are filled and the wood is planned and sanded to achieve a smooth surface.

Only for OAK!

2 LEG POSITIONS ON RECHTANGULAR TABLES



Distance between legs in H47 cm

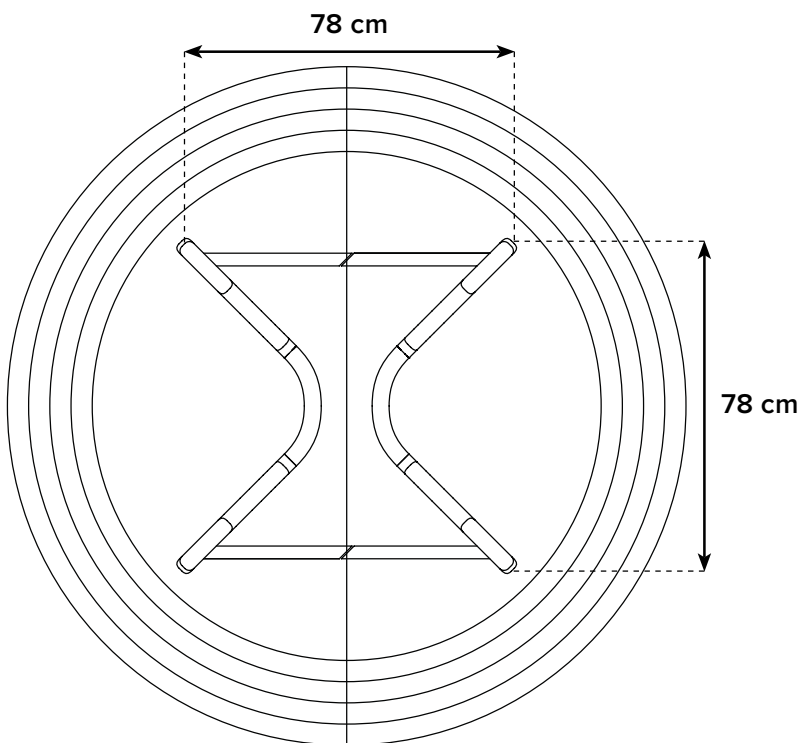
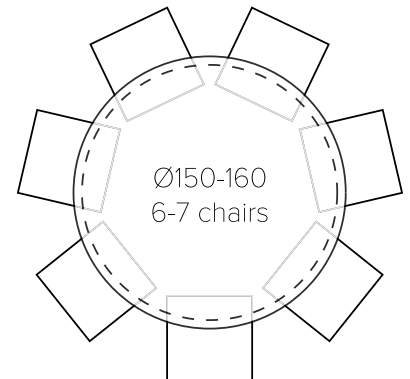
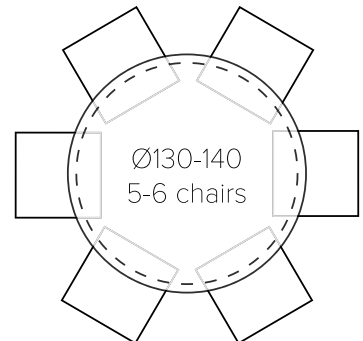
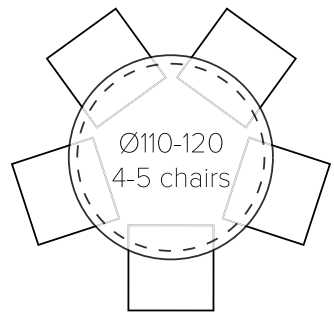
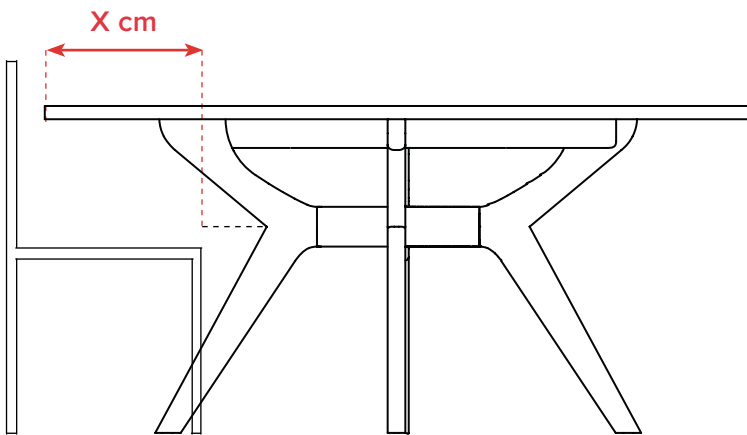
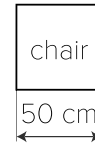
Distance between legs when 1st leg position =
Table length minus 36 (2x18) cm

Distance between legs when 2nd leg position =
Table length minus 56 (2x28) cm

ROUND TABLES MEASURES

Measures for estimating the number of chairs fitting around the tables

- D120 X = 30 cm
- D130 X = 35 cm
- D140 X = 40 cm
- D150 X = 45 cm
- D160 X = 50 cm





FSC® CERTIFICATE

A commitment for a better tomorrow



We are happy to announce that from 2021 we have achieved the certification that enables us to offer FSC®-labelled products. FSC® stands for "Forest Stewardship Council" and is an international non-profit organisation dedicated to promote responsible forestry. FSC® certifies forests all over the world to ensure that they meet the highest environmental and social standards.

By signing this contract, we have committed ourselves to living up to stricter social requirements and a more sustainable production. We are proud of supporting the FSC® with their work in looking after the forest workers and the wood industry, as well as fighting unsustainable, illegal forestry and deforestation.

The FSC® certification is one of our key initiatives in creating a more sustainable production. We acknowledge that this sustainable transition is a longer journey and not something that happens overnight. But each day they we are committed in doing a little better than yesterday and keep making progress in this matter.

**PLEASE VISIT OUR WEBSITE FOR
MORE FSC® RELATED INFORMATION**

www.kristensen.com



The mark of
responsible forestry

OTA YHTEYTTÄ

MITTATILAUSPÖYDÄT

Voimme tehdä kaikkia pöytämallejimme mittojen mukaan. Mittatilaustuotteet vaativat erikoiskäsittelyä: materiaalin käsittelyä, uusia piirroksia, työstökoneiden asetusten kohdentamista sekä tuotteiden paketoitua. Tästä johtuen mittatilaustuotteisiin lisätään aina erikoistyölisä, oli tuote suurempi tai pienempi kuin standardikoko. Jos esimerkiksi haluat pöydän pienempänä, lisätään lähimpää kokoa olevan tuotteen hintaan erikoistyölisä +15%.

Olen meihin yhteydessä lisätietoja saadaksesi!

Head office, Denmark

OSOITE:

Kristensen & Kristensen A/S
Storstrømsvej 44
6715 Esbjerg N
DK - Denmark

PUHELIN:

+45 75470303

FAX:

+45 75470304

KOTISIVU:

www.kristensen.com

MAIL:

kristensen@kristensen.dk

TILAUKSET:

order@kristensen.dk

REKLAMAATIOT:

claim@kristensen.dk

Edustaja Suomessa

Jokko Salmevaara

—

✉ jokko.salmevaara@boknas.fi

☎ +358 040 195 8886